

Karl

ELEGANCE AND CHARACTER IN EXECUTIVE SPACES



EUROPEAN
OFFICE
FURNITURE
MANUFACTURER





Karl

Elegance and character in executive spaces

At the crossroads between home and office, the KARL range draws inspiration from residential design to reinvent professional spaces.

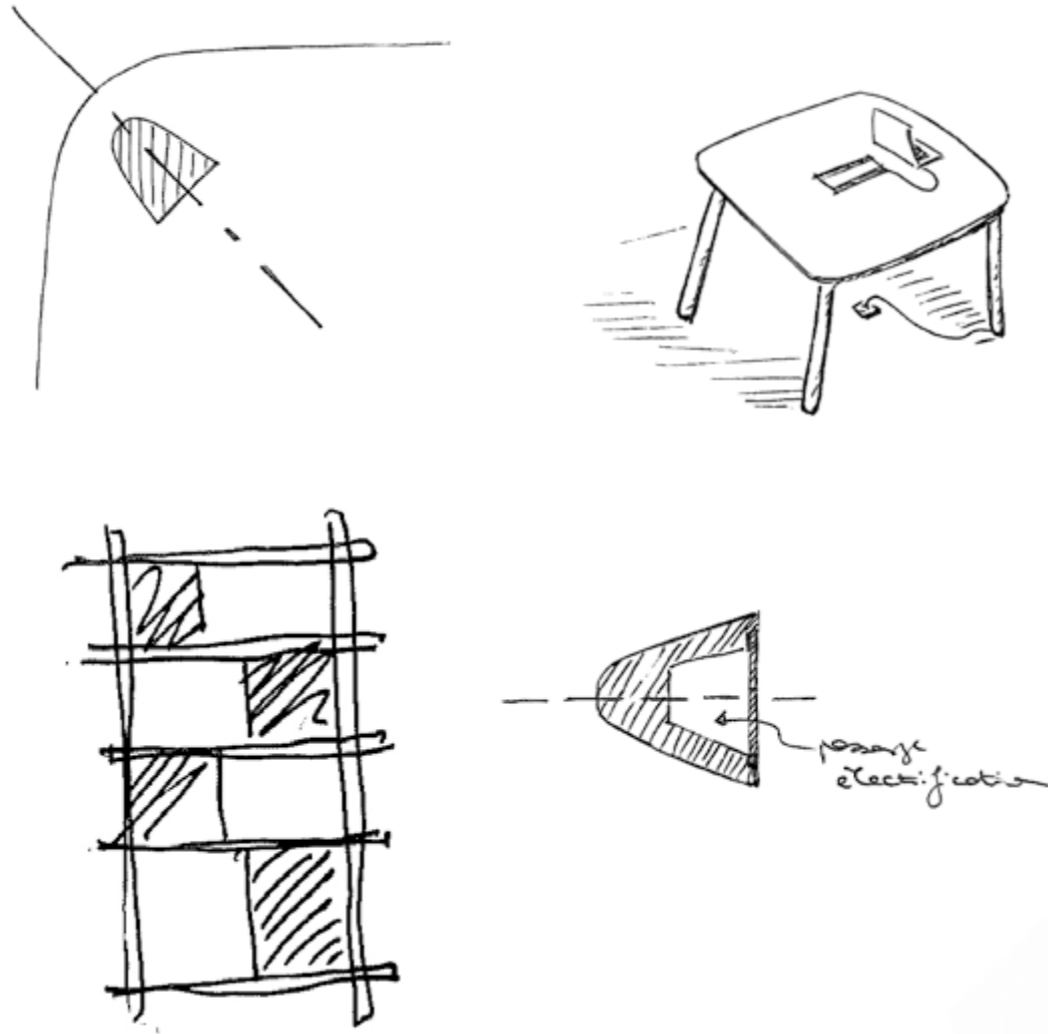
Its clean lines, balanced proportions, and the use of elegant materials such as solid oak create a warm and welcoming atmosphere.

KARL offers executive and meeting spaces that echo the codes of home living, while retaining the rigour and demands of professional furniture.



Karl

Created by the EOL Design Studio



« In designing Karl, we aspired to give it a strong identity.

To achieve this, we sought to move away from the conventional language of office furniture by giving it soft shapes, warm materials, and intuitive connectivity interfaces

Pauline Codron
Art director EOL

Inspired by the history and values of French design, the Design Studio is a team of experts made up of an art director, product designers, and interior architects.

Their missions?

- › Imagine, design, and create EOL products
- › Advise you in your space planning project: listening, analysing, creating 2D or 3D plans
- › Monitor trends actively to create a space that reflects your identity

Need help bringing your project to life? Contact us!



LEADING AND COLLABORATING WITH ELEGANCE

With distinction and uniqueness, KARL provides an executive space designed to decide, welcome, and inspire. An elegant desk and a meeting table for discussions with colleagues are paired with coordinated storage units, creating a refined environment where every detail enhances the layout.

LEON office chairs
SCOTT chairs
CHAMPI lamp



MEETING IN SPACES OF CHARACTER

Available in different table formats, with a discreetly integrated top access module, KARL adapts to your needs and equips both small and large meeting areas with elegance.

LOUIS chairs
CHAMPI lamp



STRUCTURING SPACE WITH ELEGANCE AND DISTINCTION

At the heart of shared environments, KARL reinterprets layout through the codes of home design. It allows you to structure the workspace with precision, integrating open and closed storage solutions that combine functionality and aesthetics.

Table ELOISE
Chaises LOUIS
Tables basses SUZY
Assises BIP



Space planning

Variety of uses

- › For both executive offices and meeting rooms, KARL is ideal for fitting out decision-making spaces with elegance.
- › Available in multiple formats and configurations.

Organising and structuring space

- › Wide range of coordinated furniture: credenzas, closed and open bookcases in various dimensions.
- › Can be used individually or combined for a neat, organized space.

Elegance of lines and materials

- › Soft, rounded forms
- › Solid oak legs and handles
- › Customisable desks with coordinated drawer and modesty panel (optional)
- › Special attention to details and assembly



Discreet electrification

- › Integrated top-access module aligned with desktop finish (except RK finish, top-access in black)
 - Single-access version on the side for desks
 - Double-access version at the center for meeting tables
- › Access to a structural cable trough for sockets and cable management
- › Electrified leg for cable management





Executive offices

KARL enhances your executive offices with elegance and character, allowing a desk to be combined with coordinated storage for a neat and orderly space.



Structuring spaces

KARL storage units can be combined to separate and structure spaces in a residential style.



Meetings

Tables for small and large spaces, square or rectangular, accommodating up to 20 people and more depending on your needs. KARL offers electrification that is both practical and discreet for your meetings.



Tailored storage

Combine open and closed units, different heights and widths. Multiple formats and configurations are possible.

 **Zooms**



◀ **Integrated top-access module**
Single or double access to cable trough

 **Options**



◀ **Metal drawer**
Compartmentalised and secured

▶ **Intermediate metal shelf**
for optimizing bookcase storage



▶ **Metal modesty panel**
between legs for a neat finish



◀ **Secure storage**
doors and drawers with lock; solid oak round handles

Karl

TECHNICAL CHARACTERISTICS



EUROPEAN
OFFICE
FURNITURE
MANUFACTURER



Elegance

Soft shapes combined with elegant materials (solid oak legs and handles)

Coordinated furniture

Choice of credenzas or bookcases, with and without storage, in various combinations

Tables

Square or rectangular, from 6 to 20 people or more, depending on your needs, thanks to the addition of a 4-person intermediate module



Customisable

Metal modesty panel and drawer (optional)

Discreet electrification

Soft-closing top access modules integrated into the tabletop. Cable routing integrated into the leg.

Structural cable housing

Allows cables to be routed below the worktop and down the legs

Desks and tables

Melamine desktops



- › 25 mm thick particleboard panels, melamine-coated, 2 decorative anti-reflective faces
- › Density: 600–670 kg/m³
- › ABS edges, 2 mm rounded, matching finish
- › Edges matched to the tabletop finish
- › 3 finishes available (see Shade Card)



- › Worktops from sustainably managed forests – **PEFC** certified
- › **Fire classification M3** (moderately flammable), in accordance with **NF EN 13501-1**
- › Panels certified E05 (formaldehyde emission control) with a maximum of 0.062 mg/m³ or a limit of 0.05 ppm, compliant with NF EN 717
- › Melamine panels compliant with ISO 22196, providing antibacterial properties
- › On average, 68% made from recycled materials (pre- and post-consumer);
- › 100% recyclable

Power & cable management



Plain top

- › Option to place or fix a power box on the tabletop
- › Only for rectangular desks and square tables



Single-access module



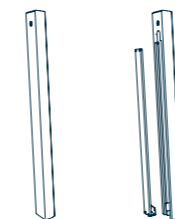
Double-access module

Top equipped with one or more integrated soft-closing modules

- › Top access module integrated into the tabletop with cover matched to the tabletop colour (except for black wood RK finish, top-access module in black). Aluminum edges.
- › Single-access top access module positioned on the right or left side for desks (D. 900 x 1800 / 2000 mm)
- › Double-access module positioned in the center for meeting tables
- › Deep structural troughs to hold power boxes (sold separately)

See electrification options

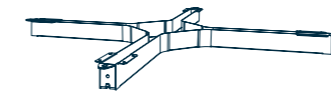
Legs and structure



Standard Cable-management leg



Individual desks



Meeting tables

Legs

- › Legs in natural varnished solid oak (62x54 mm), equipped with adjustable glides ø 25 mm, recessed 3 mm, adjustment range 10 mm
- › Available as standard or cable-management legs (for versions with top-access module)
- › For desks or tables with hatch(es): 1 or 2 cable-management legs per table (depending on model), with screwed-in cable channel (4 standard cables)

Structure

- › Metal frame 90 mm high, 2 mm thick, connecting the legs
- › Frame also serves as a cable trough to hold power boxes (sold separately)
- › Epoxy powder finish, 3 colors available: Pearl white ZC (RAL 1013), Reseda green ZG (RAL 6011), and Structured black ZP (RAL 9005)

Structure fixing

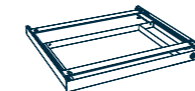
- › Legs and tops fixed to the frame with screws and metal inserts, making assembly and dismantling easy
- › Ensures excellent pull-out resistance (140 kg per insert under test conditions).

Options desks



Modesty panel

- › Steel sheet, 1 mm thick
- › Matches the desk structure
- › Securely fixed to the metal frame
- › Dimensions: H. 280 x W. 1525 / 1725 mm



Drawer

- › For rectangular desk W. 1800 or 2000 mm
- › Steel sheet, 0.7 mm and 1 mm thick
- › Attached to the worktop by inserts, centred on the user side
- › Drawer slides on ball bearings
- › Equipped with a chrome lock
- › Overall dimensions: W. 626 x H. 48 x D. 530 mm
- › Useful dimensions: W. 470 x D. 329 x H. 26 mm + W. 84 x D. 277 x H. 25 mm

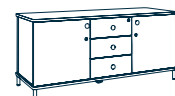
Storage units



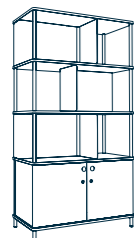
Credenzas W. 620 x D. 450 mm

2 models available:

- Sideboard 2 doors W. 1000 x H. 620 x D. 450 mm
- Sideboard 2 doors + 3 drawers W. 1411 x H. 620 x D. 450 mm



- › 19 mm melamine **top**, light oak R1 finish
- › 19 mm melamine **shell** (depending on color chart)
- › **2 metal swing doors** with chrome lock (1 shelf per door unit)
- › **2 melamine shelves**, 19 mm thick, matching body
- › **3 drawers** with metal fronts, on ball-bearing slides, full extension, soft-closing (center of 1411 mm version), chrome lock securing all drawers. Drawer belt and base in black plastic.
- › **Round handles** in solid varnished oak
- › **Metal legs** ø25 mm coordinated with doors, with leveling glides (15 mm adjustment).
- › **Delivered assembled**
- › **Useful dimensions:**
 - Drawer : W. 328 x D. 328 x H. 110 mm
 - Swing door compartment: W. 455 x D. 385 x H. 492 mm

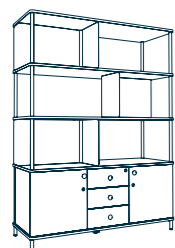


Bookcases with storage units H. 1840 x P. 450 mm

2 models available:

- Bookcase 2 doors + shelves W. 1000 x H. 1840 x D. 450 mm
- Bookcase 2 doors, 3 drawers + shelves W. 1411 x H. 1840 x D. 450 mm

- › 19 mm melamine **top**, light oak R1 finish
- › **Lower part:** see “sideboards”
- › **Bookcase section includes:**
 - 3 shelves, 19 mm thick, matching top
 - 3 steel dividers, 1 mm thick, color matched to doors – W. 597 x D. 429 x H. 387 mm
 - Tubular uprights ø25 mm for shelf fitting (color matched to doors)
- › **Load per melamine shelf:** 30 kg
Evenly distributed, heavy loads at bottom



› **Delivered assembled for lower part; shelves and upper structure to be assembled by customer**

- › **Useful dimensions:** see plans
Height between 2 shelves: H. 387 mm

See safety instructions and assembly guide

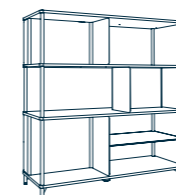
Storage units



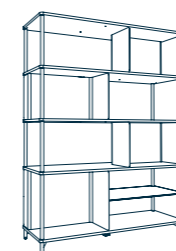
Bookcases W. 1411 mm x D. 450 mm

3 models available:

- Bookcase 2 levels W. 1411 x H. 1030 x D. 450 mm
- Bookcase 3 levels W. 1411 x H. 1435 x D. 450 mm
- Bookcase 4 levels W. 1411 x H. 1840 x D. 450 mm



- › 19 mm melamine **top and shelves**, light oak R1 finish
- › **Steel dividers**, 1 mm thick, color matched to uprights
Dimensions: W. 597 x D. 429 x H. 492 mm (bottom)
Dimensions: W. 597 x D. 429 x H. 387 mm (upper)
- › **1 welded steel shelf** 1 mm thick, positioned bottom right of divider
- › **Tubular uprights** ø25 mm (color matched to dividers)
- › **Metal legs** ø25 mm with leveling glides (15 mm range)
- › **Load per melamine and metal shelf:** 30 kg
Evenly distributed, heavy loads at bottom

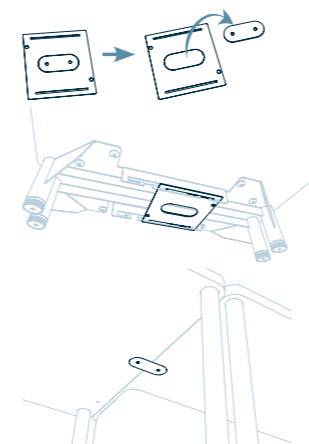


› **Delivered assembled for lower part; shelves and upper structure to be assembled by customer**

- › **Useful dimensions:** see plans

See safety instructions and assembly guide

Linking kit (included in each storage units except credenzas)



Linking kit

In 1.5 mm steel sheet, epoxy powder finish (color matched to structure). Allows 2 units to be joined.

- › **Linking part** made of 2 separable pieces
- › Can be positioned at 2 levels for perfect alignment:
 - 1 piece fitted between 2 legs under the unit (tool-free) – Dim. 119 x 113 mm
 - 1 piece screwed between 2 shelves (bookcases only) – Dim. 29 x 69 mm

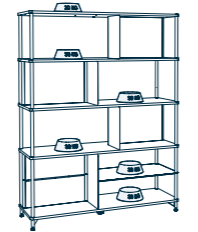
See possible configurations in the Synoptic Plans & Dimensions section

! Safety instructions

For safety and to prevent tipping, all bookcases should be secured to the wall (from 110 cm).

If wall mounting is not possible, secure them to the floor.

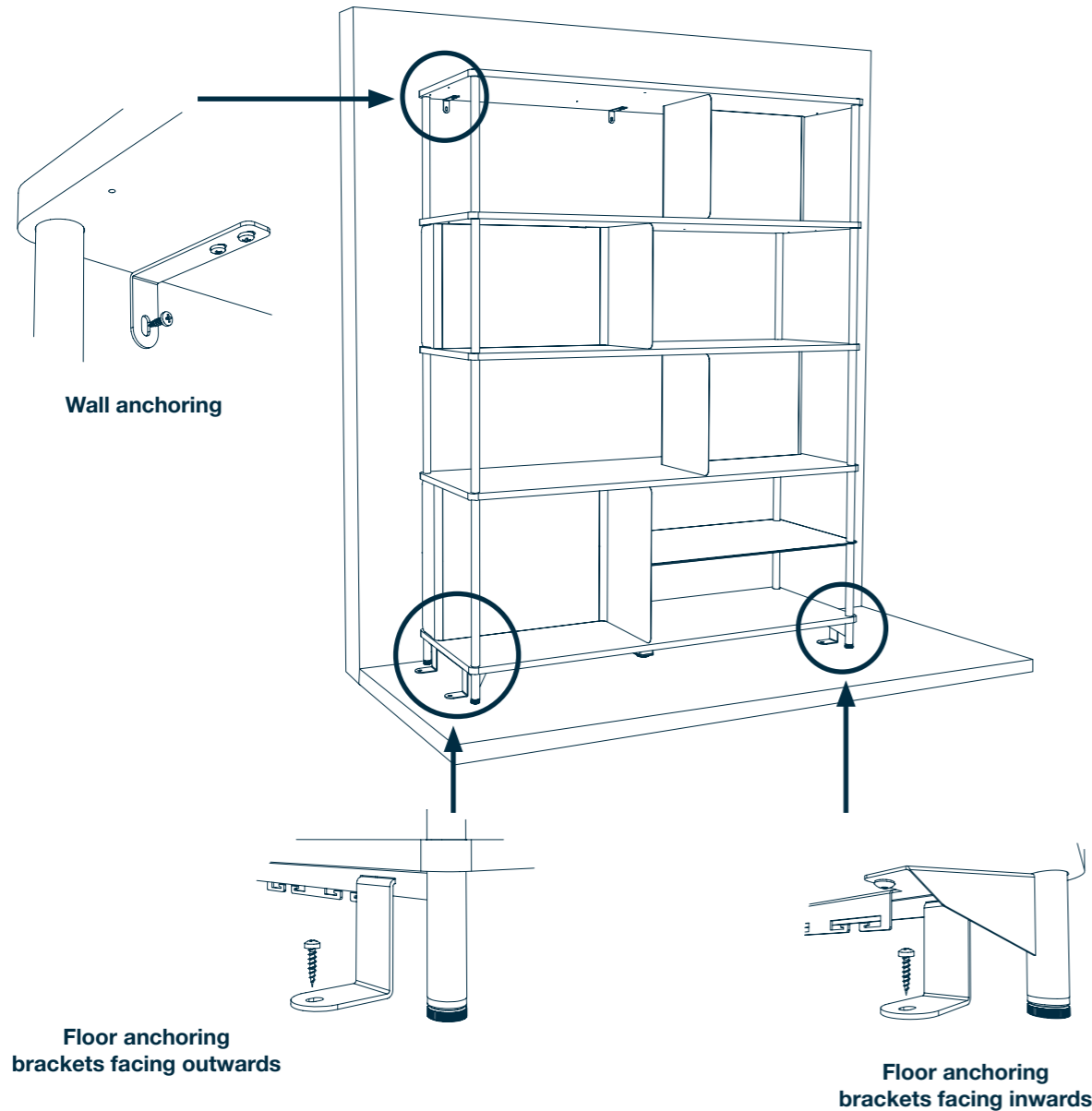
- › Wall and floor fixings are included with all bookcases.
- › Screws and plugs are not supplied; select them according to the wall or floor type.
- › Each shelf can support a maximum load of 30 kg, evenly distributed.



Max. 30 kg/shelf



Do not climb

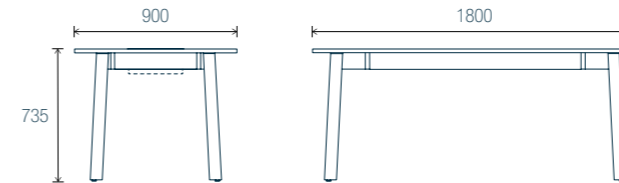


*See assembly instructions

Individual desks

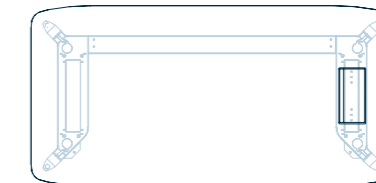
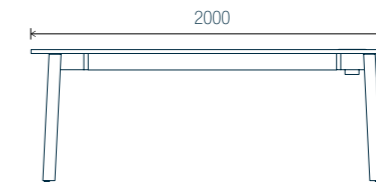
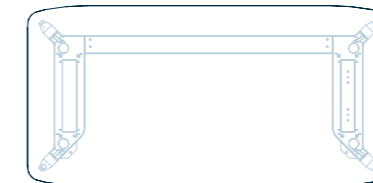
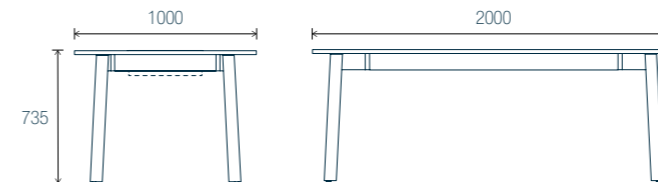
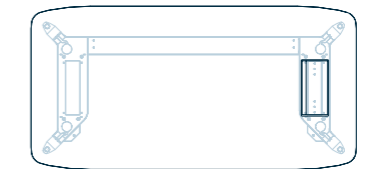
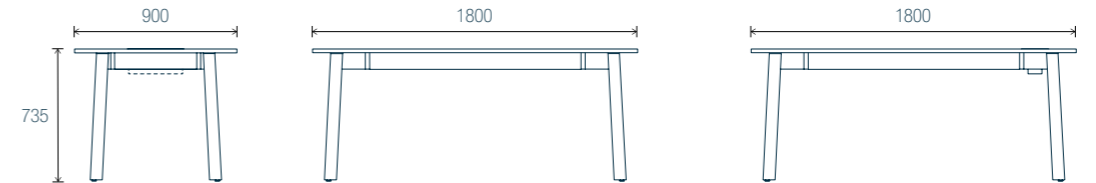
Rectangular tops

Plain top



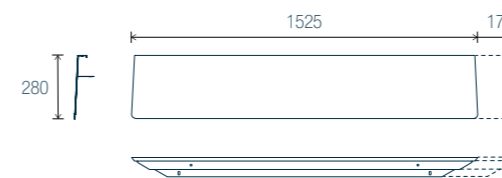
Worktops for one-way top-access modules (left or right)

4 legs, including 1 with cable management

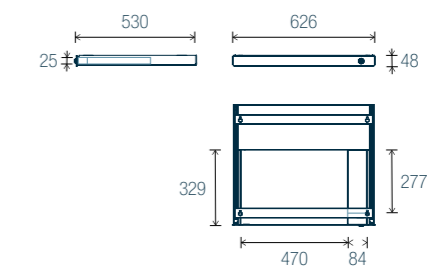


Options for rectangular desks

Modesty panel



Drawer



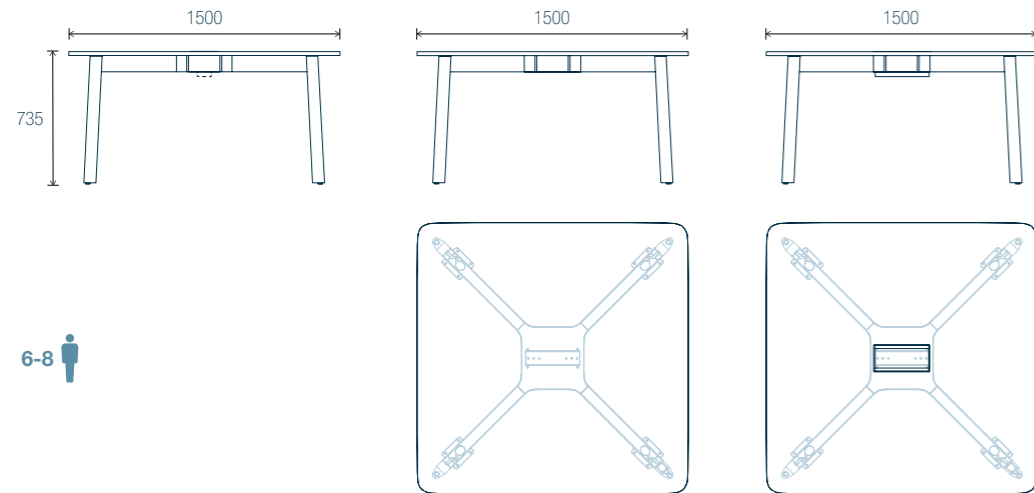
**Overview -
Plans and dimensions**

Meeting tables

1 top

Plain worktop

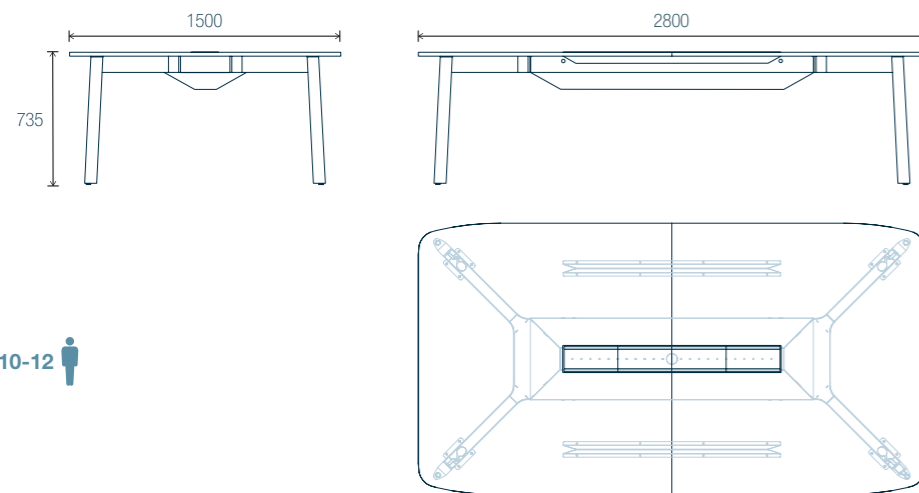
Worktop with 1 central dual-hinged top-access module
4 legs, including 1 with cable management.



6-8

2 tops

4 central dual-hinged top-access modules
4 legs, including 1 with cable management



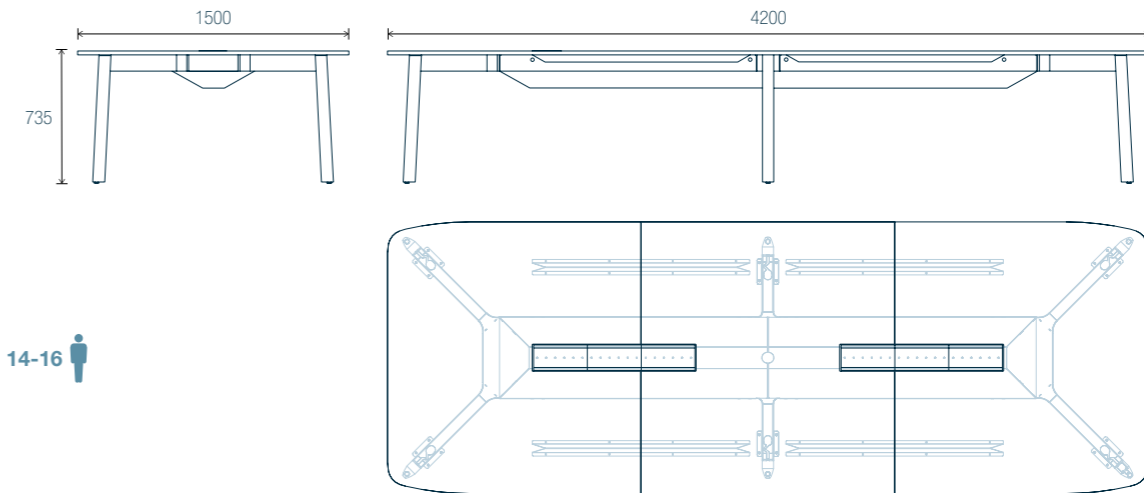
10-12

**Overview -
Plans and dimensions**

Meeting tables

3 tops

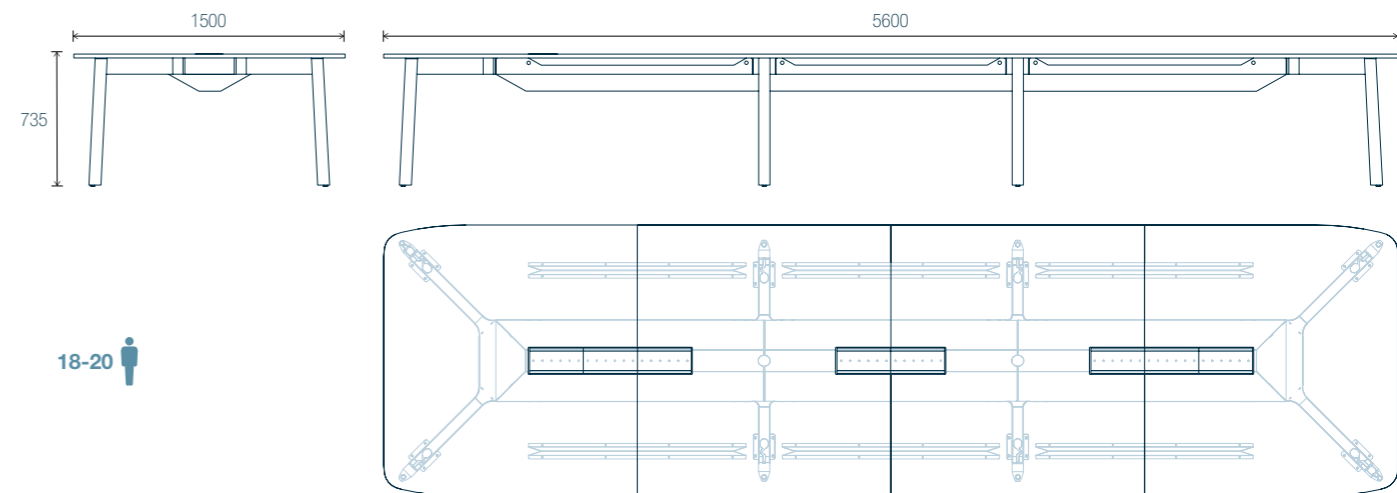
6 central dual-hinged top-access modules
6 legs, including 1 with cable management



14-16

4 tops

8 central dual-hinged top-access modules
8 legs, including 2 with cable management

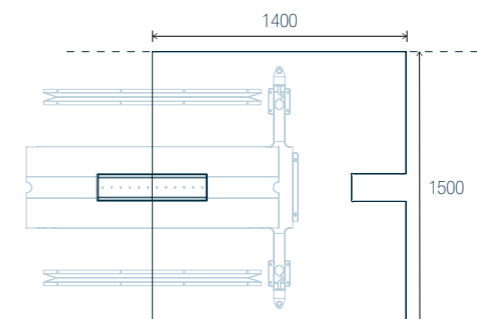


18-20

Intermediate module - 1 top*

2 central dual-hinged top-access modules
2 legs, including 1 with cable management

4

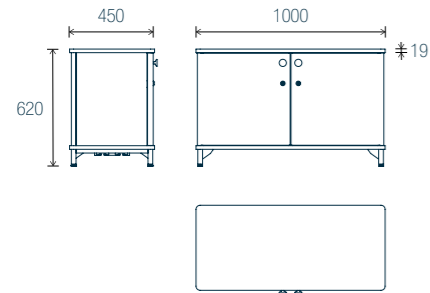


*To be inserted in the middle of the table (D. 1500 x W. 5600 mm) to increase the seating capacity (in multiples of 4).

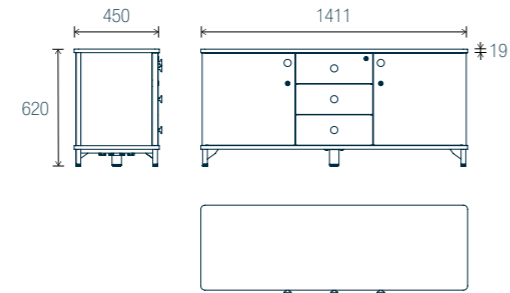
Storage units

Credenzas

2 doors

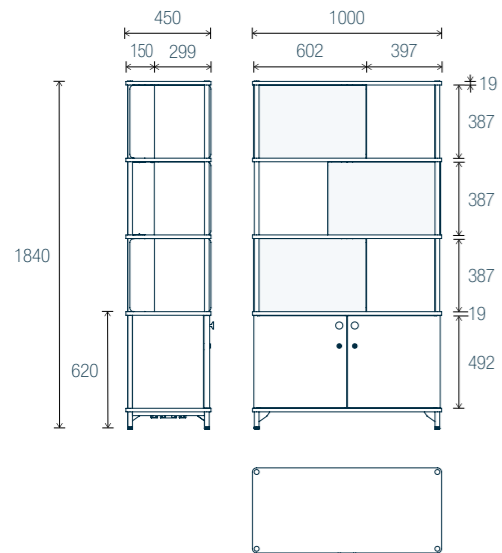


2 doors + 3 drawers

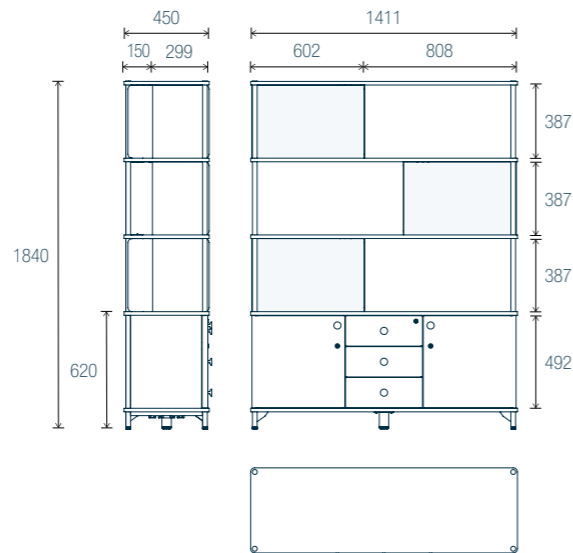


Bookcases with storage units

2 doors



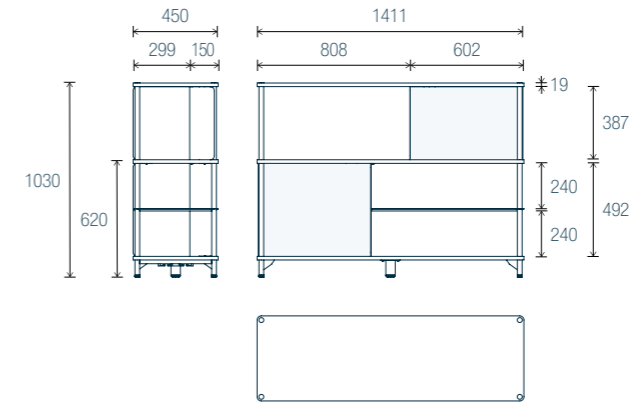
2 doors + 3 drawers



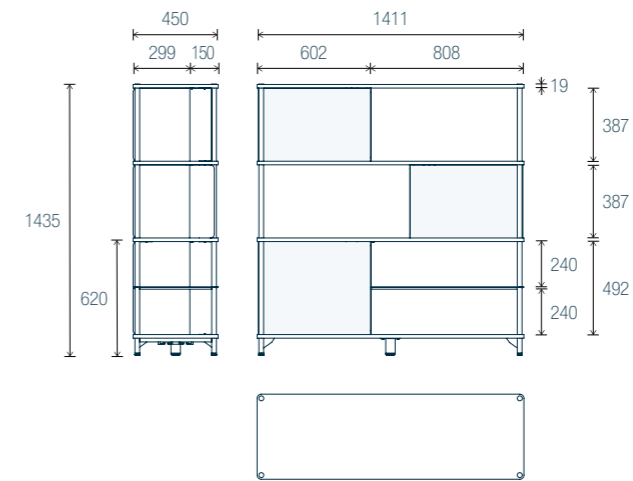
Storage units

Bookcases

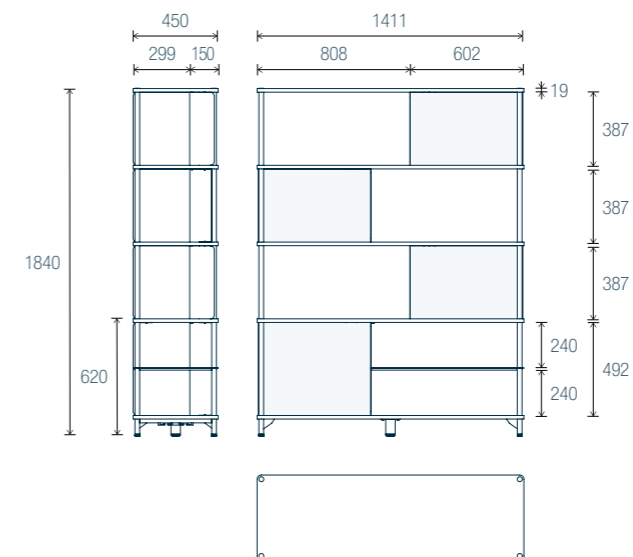
2 levels



3 levels

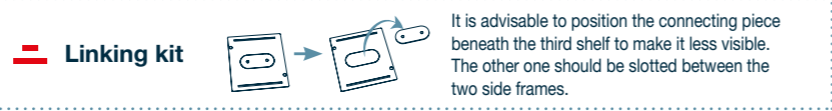


4 levels

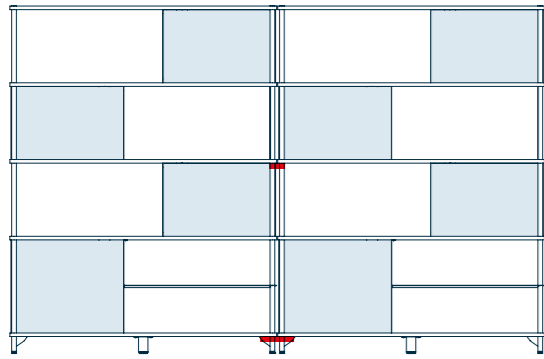


Storage units

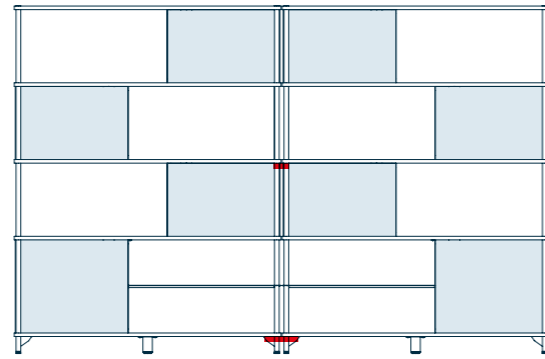
Configuration ideas



Identical storage units

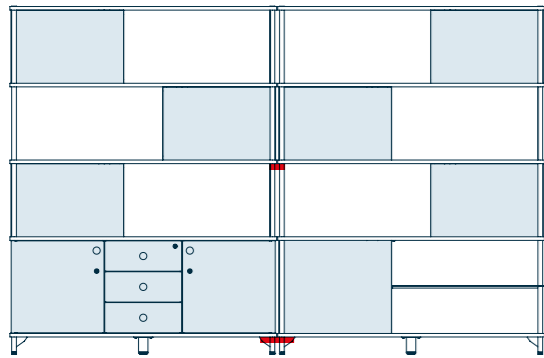


In the same direction

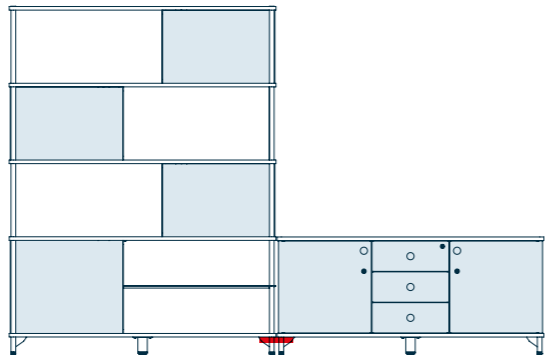


In opposite directions

Different storage units

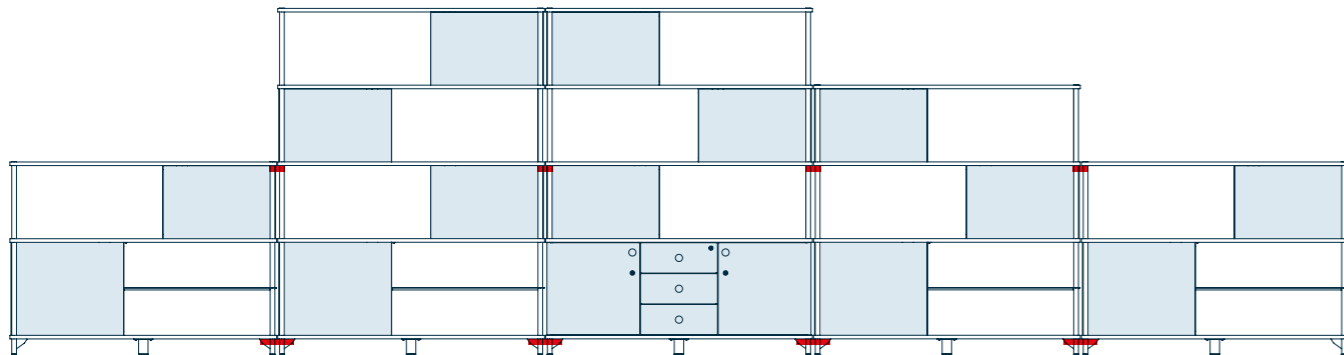


Bookcases with and without storage units



Bookcase and credenzas placed side by side

Bookcases of different heights



Desks and meeting tables

Melamine - Worktops thk 25 mm

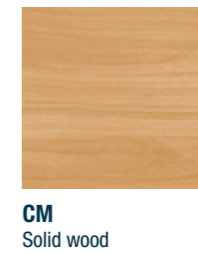
Plain colours & Wood finishes



Metal - Structure / Modesty panel / Drawers



Solid wood - Legs



Storage units

Melamine - Top & shelves thk 19 mm

Wood finishes



Melamine / Metal - Shell / Structure, Separators, Doors, Drawers



Wood - Worktops

	Melamine	
	Thick 25 mm Worktops	Thick 19 mm Top & shelves
Double-sided anti-reflective coating	✓	✓
Finishes	N5 - R7 - RK	R1
Shock-resistant, with rounded edges ⁽¹⁾	✓	✓
Antibacterial	✓	✓
Density ⁽²⁾	600 > 670 kg/m ³	620 > 690 kg/m ³
PEFC (sourced from sustainably managed forests)	✓	✓
E05 certified (compliant with standard NF EN 717)	✓	✓
Fire rating (compliant with standard EN 13501-1)	Rating M3 (EUROCLASS D-S2, d0) for all finishes	
Average % from recycled materials (pre- and post-consumer)	68% (90% for R7 certified CRADLE to CRADLE).	
% recyclability	100%	
Cleaning	Wipe with a damp cloth and soapy water. Do not use abrasive products or detergents.	

⁽¹⁾ Edge banding in matching finish to worktops, except for N8 worktops (specific plywood edging) - ABS edge banding thk 2 mm

⁽²⁾ Density: Tolerance +/- 10%

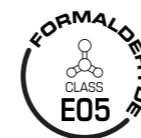
Made in France



Designed by our Design Studio and manufactured in France, in our Normandy factories



PEFC is the world's leading forest certification system and largest source of eco-certified forest products.



An **E05 rating** corresponds to a maximum of 0.062 mg/m³ or a limit of 0.05 ppm and comply with **standard NF EN 717-2** and is the most stringent of the ratings authorised in France for furniture and construction materials



Antibacterial surface. Guaranteed on all melamine worktops except MK Black velvet finish



All components **guaranteed 5 years** under normal use



Motorised desks (specifically individual desks with worktops D. 80 cm / D. 90 cm, without castors and Bench Desks with 2 x D. 80 cm worktops) comply with the **European standard EN 527 1/2** which sets the dimensions and requirements for safety, resistance and durability of office desks.



67% of this range is made from **recycled materials**
Karl is a **fully recyclable** range



EUROPEAN
OFFICE
FURNITURE
MANUFACTURER



PARIS

1 rue des Céréales - Bât 112 - 93200 **SAINT DENIS** - Tel : +33 (0)1 49 35 60 00

BRUXELLES

81, Chaussée de Nivelles - 1420 **Braine-l'Alleud** - Tel : +32 (0)2 894 99 80

eol-group.net