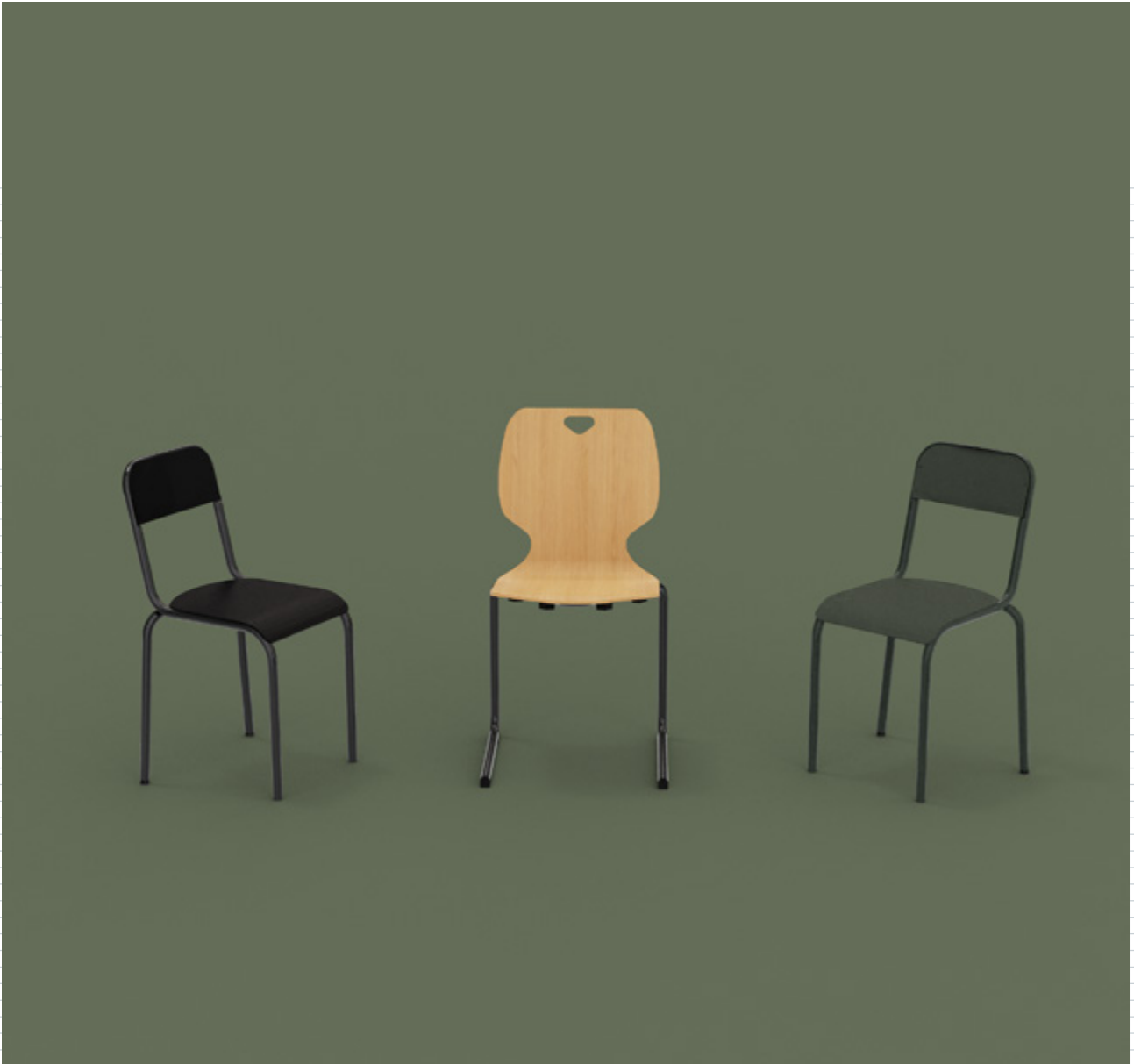


Chloé



OUR UPCYCLED CHAIR



EUROPEAN
OFFICE
FURNITURE
MANUFACTURER





Giving community seating a new lease of life, with purpose and commitment

The Chloé collection is crafted through upcycling, offering a new life to former community chairs.

Born from a commitment to responsible design, the Chloé range gives former community and catering chairs a second life. Carefully sourced, selected for their robustness and simplicity, each piece is restored and reimagined to find its place in new environments. Available in two versions, community and catering, the range adapts to a variety of uses while preserving the authentic character of each model. The subtle traces of a first life are part of the story, making every batch a uniquely individual series.

Chloé community | 4-Leg

The iconic community chair, reimagined with a responsible mindset.

Sourced through upcycling, this former community chair is carefully collected, sanded down, and repainted. Available in black or English green.

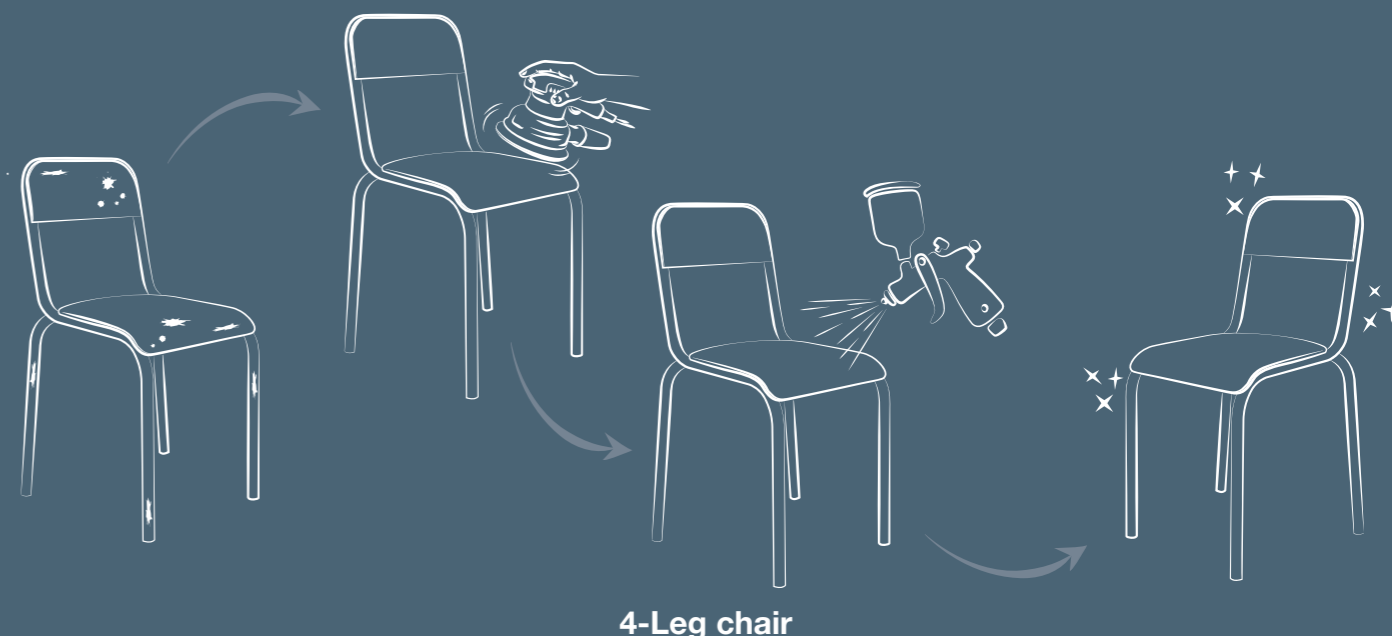
Chloé catering | Cantilever base

The canteen chair where durability meets responsible commitment.

Sourced through upcycling, this former community chair is fully disassembled for restoration. The frame is repainted while the shell is preserved in its original state, maintaining the material integrity and authenticity of the piece.

Re-use

Giving a second life to furniture that would otherwise be discarded, by repurposing it as it is to extend its story and inspire new uses.



Chloé



TECHNICAL CHARACTERISTICS



EUROPEAN
OFFICE
FURNITURE
MANUFACTURER



Sustainable

Pre-loved community chairs, carefully sanded and repainted in Black or English Green.

Sustainable

Catering-sourced chairs are recovered, fully dismantled and the base repainted.

Integrated hand grip

For quick and easy handling

Lightweight

Easy to move thanks to a simple and practical design.



Block colour

Matching seat, backrest and legs.

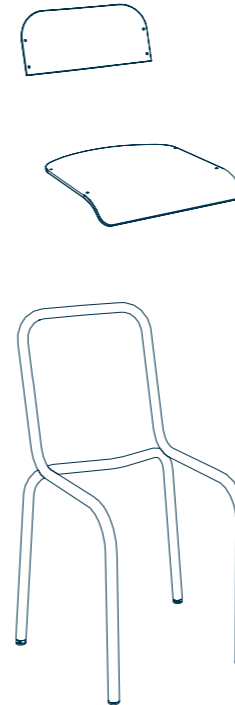
Versatile

Ideal for shared and collective spaces

Table-stacking

Facilitates easy floor cleaning

4-Leg chair



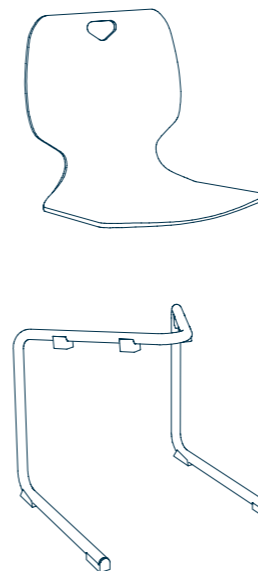
Seat and backrest

- › Plywood seat and backrest, 6-8 mm thick, sanded and painted
- › Black or English green acrylic paint finish

Frame and Legs

- › Tubular steel frame Ø 25 mm, thickness 1.2 mm
- › Epoxy paint finish
- › 4 black legs, each fitted with a polypropylene floor glide
- › Seat and backrest fixed to tubular frame with rivets

Cantilever base chair



Seat / backrest

- › One-piece plywood shell, (backrest and seat), 8 mm thick
- › Integrated hand grip on the backrest

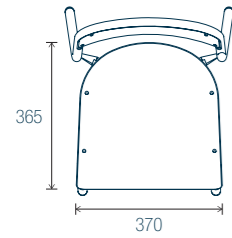
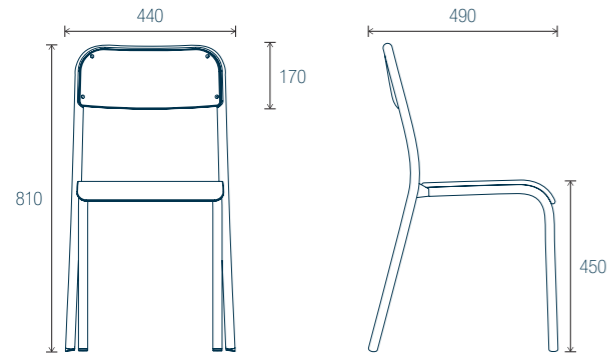
Frame and Legs

- › Steel tube frame, Ø 25 mm, epoxy paint finish
- › C frame fitted with a sled base with 2 rear black polypropylene glides
- › Shell fixed to tubular frame with rivets

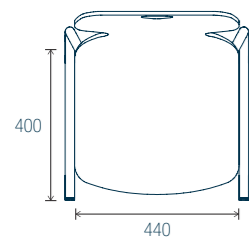
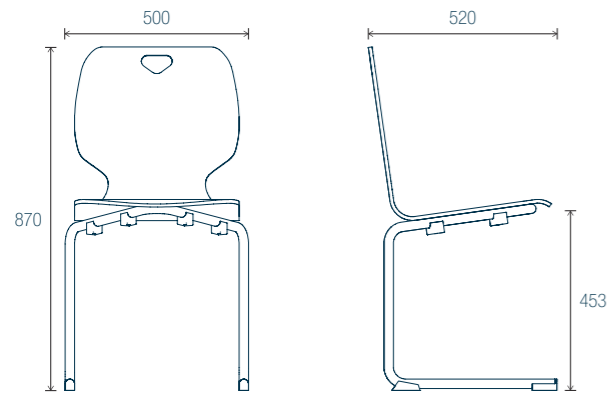


Overview

4-Leg chair



Cantilever base chair



Shade card

4-Leg chair

Wood / Metal

Seat - Backrest / Frame - Base



SG
Black



ST
English green

Cantilever base chair

Wood / Metal

Seat - Backrest / Frame - Base



RBSG
Plywood / Black



Please note: As chairs are sourced from a variety of recoveries, minor design variations within a batch may occur.
Limited quantities available - please contact us for availability.

**Made
in France**



Restored and given a new lease of life in our Normandy facilities.



2 years for all components under normal use conditions



100% of chairs in this range are made from recycled materials
Chloé is a fully recyclable range

 **Price**

Products/ colours: On request 6 weeks

Ref.	RRP excl. VAT
	 

4-Leg chairs

Sold in sets of 10



Black	5 200 001 SG	£ 364	€ 414
English green	5 200 001 ST	£ 364	€ 414

Cantilever base chairs

Sold in sets of 2



Black base	5 200 003 SG	£ 128	€ 146
------------	--------------	-------	-------



EUROPEAN
OFFICE
FURNITURE
MANUFACTURER



PARIS

1 rue des Céréales - Bât 112 - 93200 **SAINT DENIS** - Tél : +33 (0)1 49 35 60 00

BRUXELLES

81, Chaussée de Nivelles - 1420 **Braine-l'Alleud** - Tél : +32 (0)2 894 99 80

eol-group.net